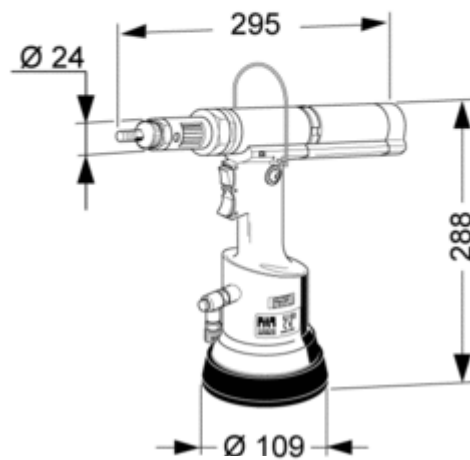


**Description**

Hydro Pneumatic Spin-Pull Nut Insert Installation Tool M3 – M8

The KJ60 is the best available hydro pneumatic tool for production installation of nut inserts up to M8. M3-M6 in any material and M8 in steel or aluminium only. The actuation principle is Spin-Pull, with the pull stroke length mechanically set. Using a pull stroke to set the insert rather than a spin method results in no torque being applied to the thread during installation. This tool is ideal for setting high volumes of inserts, particularly for larger threads, and is near essential for stainless steel nut inserts. This tool is supplied in kit form which includes hard plastic case, and all mandrels and anvils for setting M3 to M8.



**Specifications**

<b>Model</b>	TA-KJ60
<b>Type</b>	Spin/Pull
<b>Construction</b>	ABS Plastic/Steel
<b>Capacity</b>	M3 – M8 All Nut Insert Materials
<b>Traction Power</b>	6 bar - 725 kg
<b>Weight</b>	2.20kg

Dimensions and specifications are subject to change without notice. Check you distributor for the latest data sheet

As this data is based on multiple tests in various thicknesses we recommend testing the fastener in your application when an exact strength figure is required, or the load to be applied comes close to the published data

Profast Pty Ltd QLD

P: +61 7 3265 2267

F: +61 7 3265 2257

E: salesQLD@profast.com.au

W: www.profast.com.au

Profast WA Pty Ltd

P: +61 8 9456 5537

F: +61 8 9455 2659

E: salesWA@profast.com.au

W: www.profast.com.au