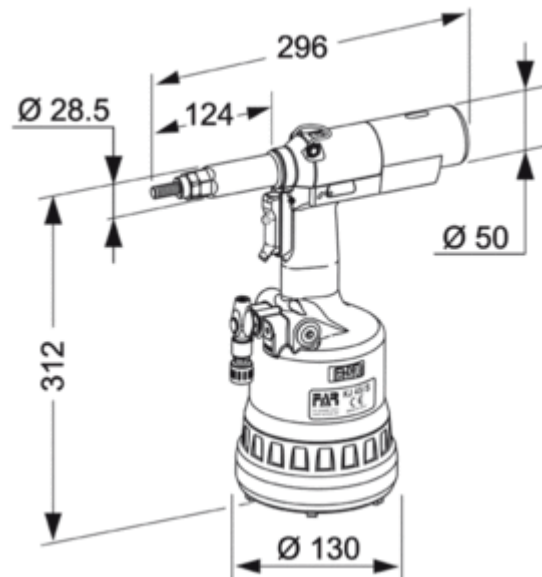


Description

Hydro Pneumatic Spin-Pull Nut Insert Installation Tool M4 – M12

The KJ45S is the best available hydro pneumatic tool for production installation of nut inserts up to M12 in any material. The actuation principle is Spin-Pull, with the pull stroke length mechanically set. Using a pull stroke to set the insert rather than a spin method results in no torque being applied to the thread during installation. This tool is ideal for setting high volumes of inserts, particularly for larger threads, and is near essential for stainless steel nut inserts. This tool is supplied in kit form which includes hard plastic case, and all mandrels and anvils for setting M4 to M12 inserts.



Specifications

Model	TA-KJ45S
Type	Spin/Pull
Construction	ABS Plastic/Steel
Capacity	M4 – M12 All Nut Insert Materials
Traction Power	6 bar -1100 kg
Weight	2.86kg

Dimensions and specifications are subject to change without notice. Check you distributor for the latest data sheet

As this data is based on multiple tests in various thicknesses we recommend testing the fastener in your application when an exact strength figure is required, or the load to be applied comes close to the published data