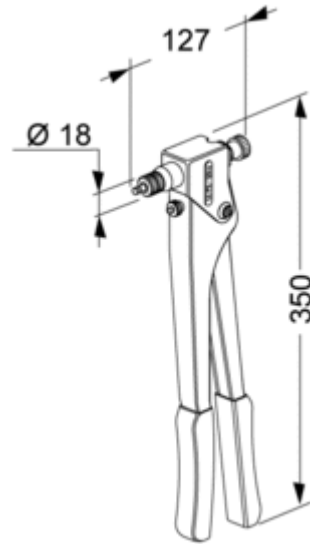


Description

Heavy Duty Nut Insert Hand Tool M3 – M8

This tool installs M3 - M8 Steel & Aluminium Nut Inserts and M3 - M6 stainless steel nut inserts. Mandrels are quick and easy to change, and are conveniently stored in the case provided. This tool is supplied in kit form including storage case, all mandrels and anvils.



Specifications

| | |
|---------------------|------------------------------------------------------------------|
| Model | TA-KJ21 |
| Type | Plier Type |
| Construction | Pressed Metal Frame |
| Capacity | M3 - M8 (Steel & Al. Inserts), M3 - M6 (Stainless Steel Inserts) |
| Weight | 1.25kg |

Dimensions and specifications are subject to change without notice. Check your distributor for the latest data sheet

As this data is based on multiple tests in various thicknesses we recommend testing the fastener in your application when an exact strength figure is required, or the load to be applied comes close to the published data