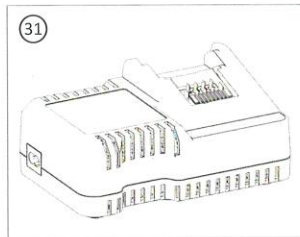
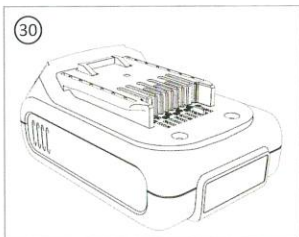
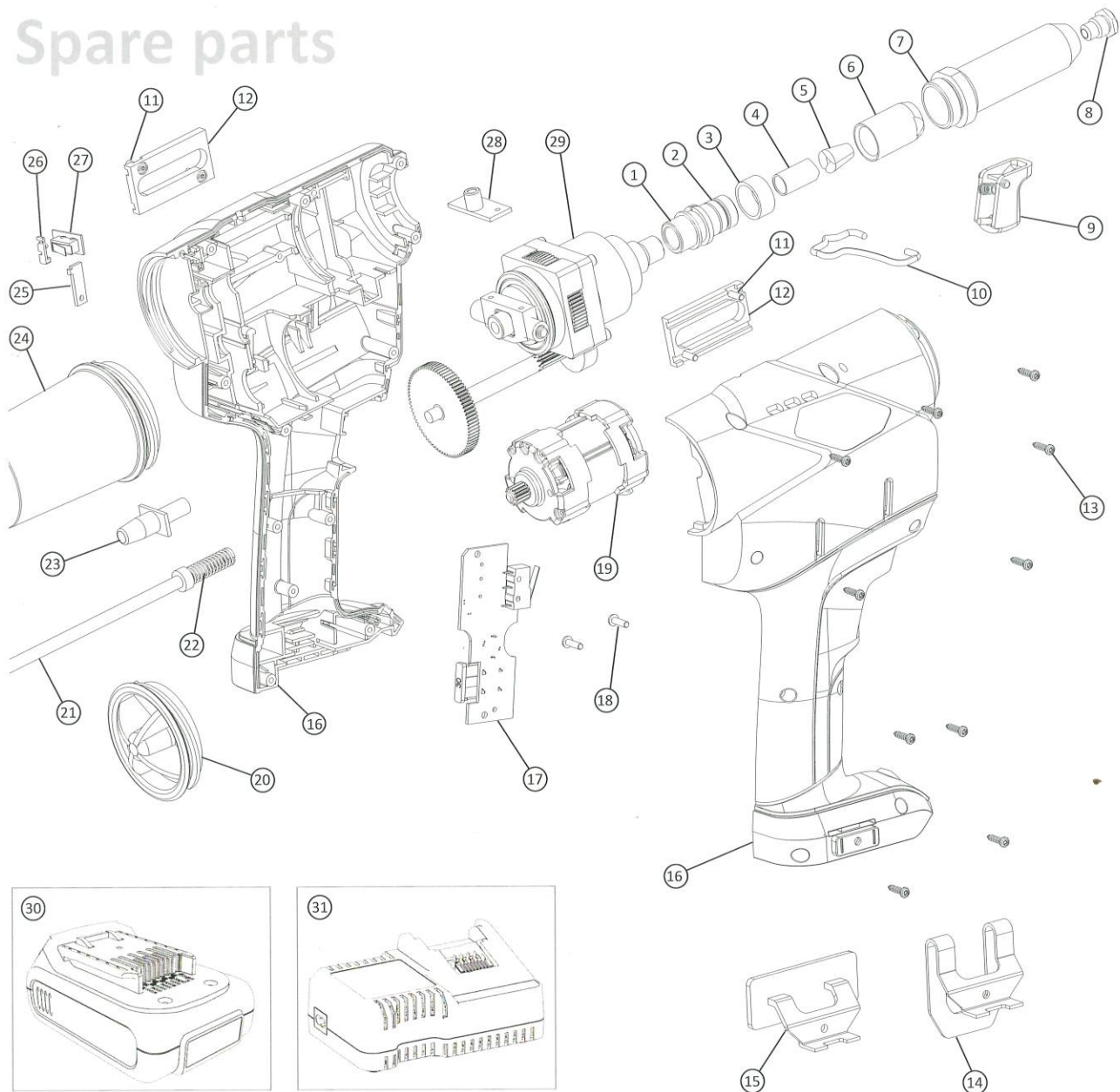


RIVDOM®TWO^{20V}

Battery-powered setting tool for blind rivets

Spare parts



Facts



2.4	3.0	3.2	4.0	4.8	5.0	6.0	6.4	8.0
-----	-----	-----	-----	-----	-----	-----	-----	-----

- Aluminium
- Steel
- Stainless steel
- Copper alloys

max. 4.8 mm

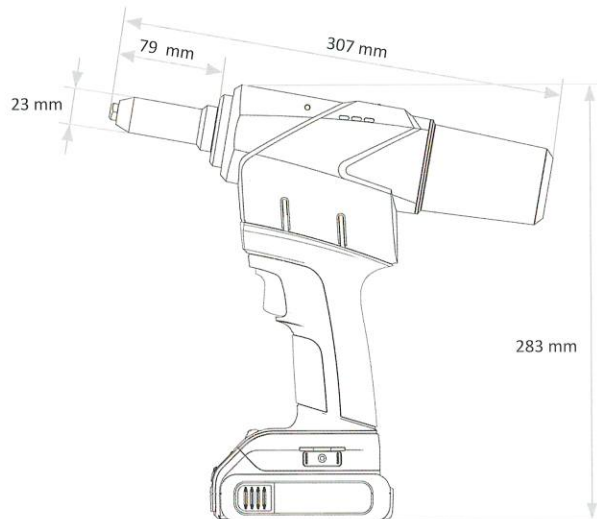
< 30 min.

20,000 N

2.0 kg (incl. battery)

30 mm

RivdomTWO 20 V battery riveter incl. 20 V/2.0 Ah battery (number depending on variant) with optical charge state indicator, 4x standard nosepiece in box, Rivdom-PLUS quick charger, mandrel container, belt clip, hanger and cover cap in L-Boxx with coloured sales sleeve.



Tool

320.501.000.000-010-1	RivdomTWO 20V incl. 1 x 20 V/2.0 Ah battery in L-Boxx
320.501.000.000-020-1	RivdomTWO 20V incl. 2 x 20 V/2.0 Ah battery in L-Boxx

Accessories

30	321.500.000.021	Li-Ion RivdomPLUS battery 20 V/2.0 Ah
p. 193	321.500.000.022	Li-Ion RivdomPLUS battery 20 V/4.0 Ah
31	321.500.000.001	Universal quick charger 220 V (12 V/16 V/20 V)
see below	321.500.000.003	Multiple charging station
see below	321.500.000.004	Adapter multiple charging station for 1 x RivdomPLUS battery
p. 193	321.300.200.072	Extend front sleeve (210 mm) for blind rivets up to 4 mm
24a	321.200.100.031	Mandrel container S (5.5 cm)
24b	321.300.100.031	Mandrel container L (8.0 cm) -scope of delivery-
24c	321.401.000.030	Mandrel container L+ (8.0 cm)
24d	321.501.000.030	Mandrel container XL+ (11.0 cm)
10	321.401.000.029	Hanger -scope of delivery-
14	321.200.000.006	Belt clip
15	321.200.000.005	Name plate
20	321.401.000.004	Cover cap -scope of delivery-



Retention nosepieces available as options ensure that the rivet cannot fall out of the tool even in vertical working position and one hand remains free, e.g. to hold the part.

Spare and Wear Parts

1	321.300.200.054	Spacer
2	321.300.100.010	Scraper
3	321.300.200.069	Extension sleeve
4	321.300.200.017	Guide sleeve
5	321.120.000.011	Clamping jaws (1 set = 3 pcs.)
6	321.300.200.016	Clamping sleeve
7	321.300.200.015	Front sleeve
9	321.200.000.033	Trigger and pressure spring
11	321.300.100.038	Screw for bearing
12	321.300.200.007	Gear box bearing
13	321.300.100.041	Housing screws (1 set = 10 pcs.)
16	321.501.000.032	Housing (left + right)
17	321.501.000.044	Electronic assembly complete
18	321.300.100.039	Screw for Electronic assembly
19	321.501.000.001	Motor BLDC
21	321.300.200.049	Mandrel discharge tube
22	321.300.200.021	Pressure spring
23	321.300.200.043	Plastic tube
25	321.200.000.051	Mandrel safety switch - cover plate
26	321.401.000.050	Mandrel safety switch - lever and spring
27	321.401.000.052	Mandrel safety switch - switch and cabel
28	321.300.100.036	Magnet holder with magnet
29	320.300.200.000	Gear box complete
no fig.	321.300.200.046	Mounting wrench

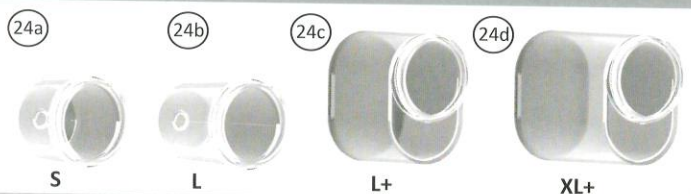


Use out interactive product viewer for quick identification of further spare parts.

Nosepieces

	321.120.000.124	Standard nosepiece 4.0 mm
8	321.120.000.125	Standard nosepiece 4.8/5.0 mm
	321.120.000.126	Standard nosepiece 6.0 mm
	321.120.000.127	Standard nosepiece 6.4 mm
see info on the right top	321.501.000.132	Retention nosepiece 4.0 mm
	321.501.000.134	Retention nosepiece 4.8/5.0 mm
	321.501.000.136	Retention nosepiece 6.0 mm
	321.501.000.138	Retention nosepiece 6.4 mm
	321.123.940.070	Extended nosepiece (7 mm) 4.0 mm
	321.123.950.070	Extended nosepiece (7 mm) 4.8/5.0 mm
	321.123.960.070	Extended nosepiece (7 mm) 6.0 mm
	321.123.964.070	Extended nosepiece (7 mm) 6.4 mm
	321.123.940.200	Extended nosepiece (20 mm) 4.0 mm
	321.123.950.200	Extended nosepiece (20 mm) 4.8/5.0 mm
	321.123.960.200	Extended nosepiece (20 mm) 6.0 mm
	321.123.964.200	Extended nosepiece (20 mm) 6.4 mm
	321.120.000.511	Facade nosepiece 5.0 mm Head 11.0 mm
	321.120.000.514	Facade nosepiece 5.0 mm Head 14.0 mm
	321.120.000.516	Facade nosepiece 5.0 mm Head 16.0 mm
	361.121.008.401	Nosepiece FERO®-BOLT blind rivets 4.8 mm
	361.121.008.601	Nosepiece FERO®-BOLT blind rivets 6.4 mm
	321.123.716.052	Nosepiece for folding blind rivets 5.2 mm
	321.123.716.052	Nosepiece for folding blind rivets 6.3 mm

Container⁴



Charging⁴



Multiple charging station with interchangeable adapter system – suitable for VVG-PLUS batteries. Adapters for other manufacturers' batteries available on request.