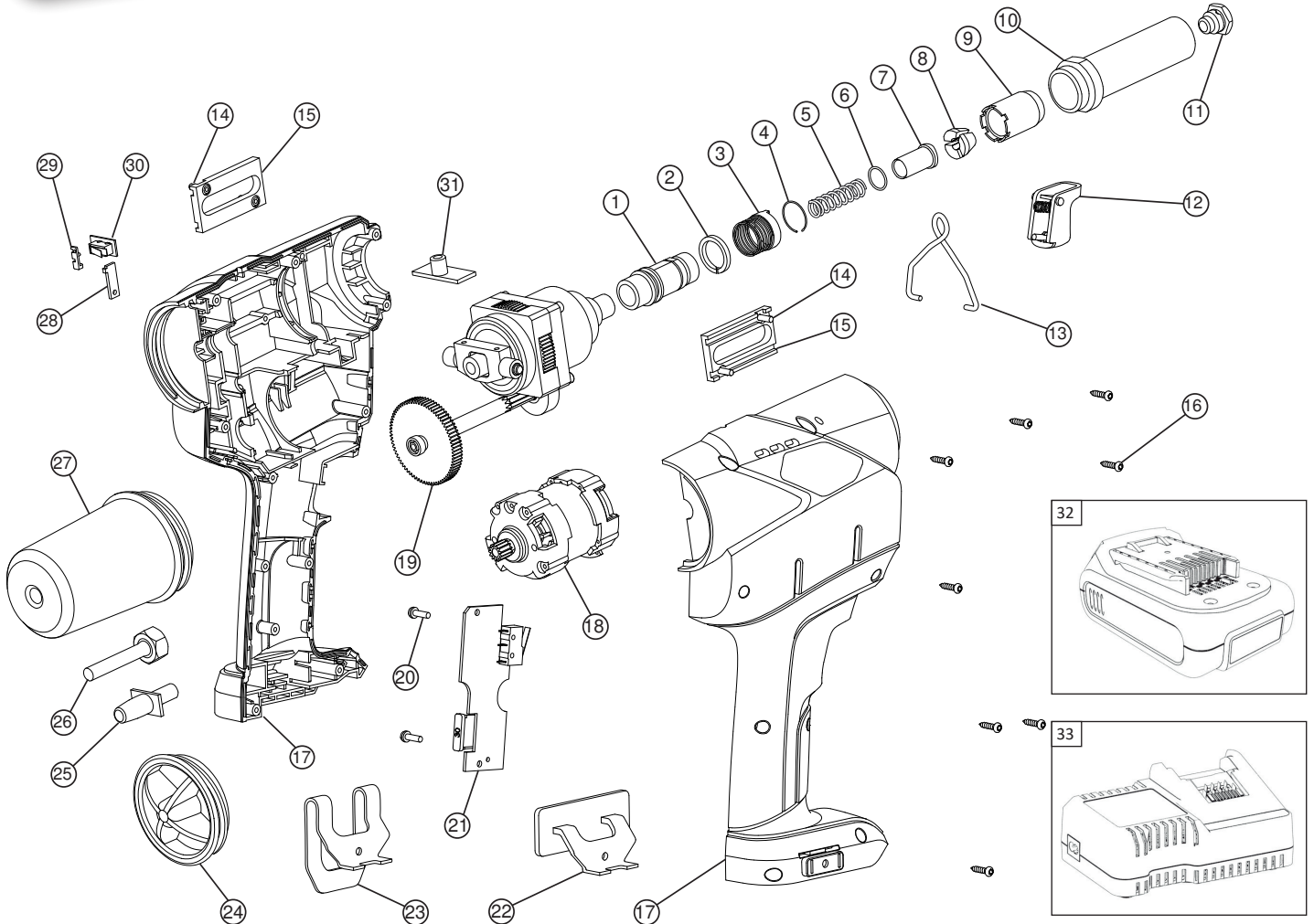




VVG Befestigungstechnik  
Ein Unternehmen der HONSEL-Gruppe



1	321.528.000.054	Spacer	<b>RD28-001-2</b>
2	321.101.100.017	O-Ring	<b>RD21-002</b>
3	321.502.000.055	Quick release ring + spring	<b>RD21-003</b>
4	321.502.000.056	Quick release c-ring	<b>RD21-004</b>
5	321.528.200.021	Pressure spring	<b>RD28-005</b>
6	321.102.000.050	O-Ring	<b>RD28-006</b>
7	321.528.200.017	Guide sleeve (incl. pos. 6)	<b>RD28-007</b>
8	321.528.045.080	Clamping jaws (1 set = 3 pcs.)	<b>RD28-008</b>
9	321.528.040.016	Clamping sleeve	<b>RD28-009</b>
10	321.528.200.015	Front sleeve	<b>RD28-010</b>
11a	321.528.200.066	Retention nosepiece 6.0 mm	<b>RD28-011A</b>
11b	321.528.200.067	Retention nosepiece 7.8 mm	<b>RD28-011B</b>
12	321.200.000.033	Trigger + pressure spring	<b>RD10-009</b>
13	321.401.000.029	Hanger	
14	321.300.100.038	Screws for bearing (2 pcs.)	<b>RD10-011</b>
15	321.300.200.007	Gearbox bearing (left or right)	<b>RD20-012</b>
16	321.300.100.041	Housing screws (1 set = 10 pcs.)	
17	321.528.000.032	Housing (left + right)	
18	321.528.000.001	BLDC Motor	<b>RD28-018</b>

19	321.528.000.000	Gearbox complete	<b>RD28-019</b>
20	321.300.100.039	Screw for Electronic assembly	
21	321.528.000.044	Electronic assembly complete	<b>RD28-021</b>
22	321.200.000.005	Nameplate	
23	321.200.000.006	Belt clip	
24	321.401.000.004	Cover Cap	
25	321.528.000.043	Plastic tube	<b>RD28-025</b>
26	321.528.000.049	Mandrel discharge tube	<b>RD28-026</b>
27	321.300.100.031	Mandrel container L (8.0 cm)	
28	321.200.000.051	Mandrel safety switch - cover plate	
29	321.200.000.050	Mandrel safety switch - lever and spring	
30	321.401.000.052	Mandrel safety switch - switch and cable	
31	321.300.100.036	Magnet holder with magnet	
32	321.500.000.021	Li-Ion RivdomPLUS battery 20 V / 2.0 Ah	
33	321.500.000.001	Universal quick charger 220 V	

04-2019