

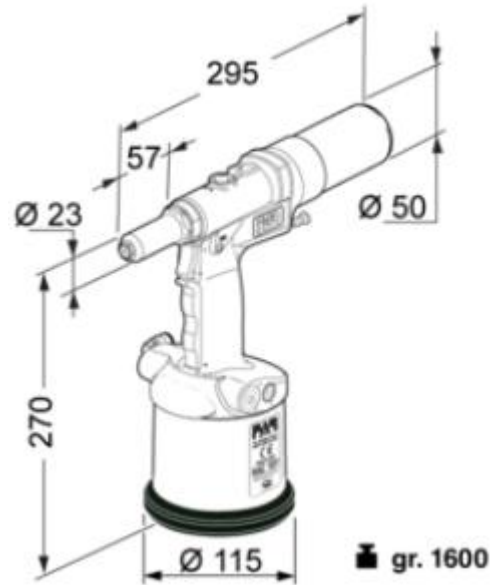
Description

Hydro-pneumatic Riveting Tool with vacuum mandrel extraction

This solid reliable tool features a double acting hydro-pneumatic actuation resulting in a quick cycle time while maintaining a high traction force. Capacity is up to 6.0mm standard aluminium rivets or 3/16" (4.8mm) in all other rivets including high strength and structural rivets. The RAC181 also features vacuum mandrel extraction as well as a mandrel container at the rear for spent mandrels. The RAC181 is the tool of choice for volume installers of 3/16" diameter rivets in any material.



Extended noses for special applications



Specifications

Model	RAC181
Type	Hydro-Pneumatic
Construction	ABS Plastic, magnesium & steel
Capacity	1/4" (Aluminium Only) 3/16" (all materials)
Weight	1.65kg
Traction Force	10.6kN with 20.5mm stroke

Dimensions and specifications are subject to change without notice. Check you distributor for the latest data sheet

As this data is based on multiple tests in various thicknesses we recommend testing the fastener in your application when an exact strength figure is required, or the load to be applied comes close to the published data