

Description

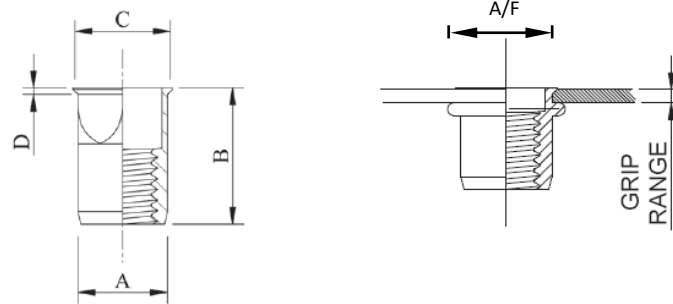
Small flange half Hexagon – Steel

For applications where fastener removal post installation is problematic and where flush mounting is beneficial. Torque to turn resistance of plus 200% on round bodied inserts.



Material Carbon Steel JIS G3507
Finish Zinc Clear CR III

Specifications



Dimensions

Part Code	Thread Size	Grip Range	Hex Hole A/F +0.1	A Max	B ±0.3	C ±0.3	D ±0.2
IN88-0413	M4 x 0.7	0.50 – 1.65	6.40	6.35	10.40	7.00	0.40
IN88-0514	M5 x 0.8	0.50 – 2.10	7.20	7.10	12.00	8.10	0.50
IN88-0619	M6 x 1.0	0.75 – 2.95	9.60	9.50	14.50	10.50	0.50
IN88-0821	M8 x 1.25	0.90 – 3.30	10.60	10.50	16.00	11.50	0.50
IN88-2035	M10 x 1.50	1.00 – 3.50	12.70	12.70	18.80	14.00	0.50

Thread Size	Pull-Out KN	Push-Out KN	Ultimate Torque Nm
M4 x 0.7	5.88	0.98	4.90
M5 x 0.8	5.88	0.98	5.88
M6 x 1.0	10.78	1.47	14.70
M8 x 1.25	11.76	1.96	19.61
M10 x 1.50	15.69	1.96	44.12

Indicative strength figures only.

Dimensions and specifications are subject to change without notice.
 Check you distributor for the latest data sheet

As this data is based on multiple tests in various thicknesses we recommend testing the fastener in your application when an exact strength figure is required, or the load to be applied comes close to the published data

Profast Pty Ltd QLD P: +61 7 3265 2267 F: +61 7 3265 2257 E: salesQLD@profast.com.au W: www.profast.com.au
 Profast WA Pty Ltd P: +61 8 9456 5537 F: +61 8 9455 2659 E: salesWA@profast.com.au W: www.profast.com.au