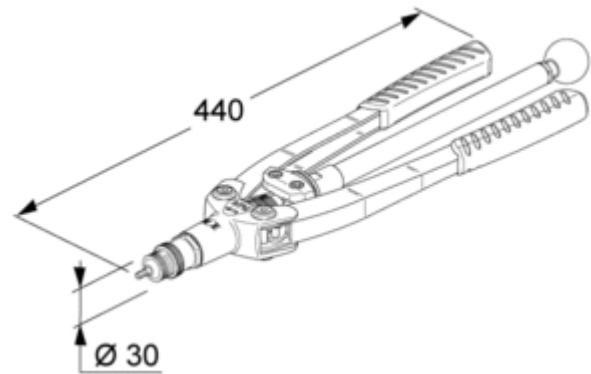


**Description**

Heavy Duty Nut Insert Hand Tool M3 – M10

This tool installs M3 - M10 Steel, Stainless Steel & Aluminium Nut Inserts. The long arms provide the leverage required to set stainless steel and larger diameter inserts quickly and easily. The push-pull mechanism makes for easy insert engagement and withdrawal after setting. All mandrels are conveniently stored in the case provided. This tool is supplied in kit form including storage case, all mandrels and anvils.



**Specifications**

<b>Model</b>	TA-KJ29
<b>Type</b>	Long Arm Type
<b>Construction</b>	Pressed Metal Frame
<b>Capacity</b>	M3 – M10 in all Nut Insert Materials
<b>Weight</b>	2.0kg

Dimensions and specifications are subject to change without notice. Check your distributor for the latest data sheet

As this data is based on multiple tests in various thicknesses we recommend testing the fastener in your application when an exact strength figure is required, or the load to be applied comes close to the published data